



In Stock Cabinetry



**SMART**  
CABINETS®

# DOOR STYLES

## Standard Overlay



Squire, Carmel



Squire, Coffee

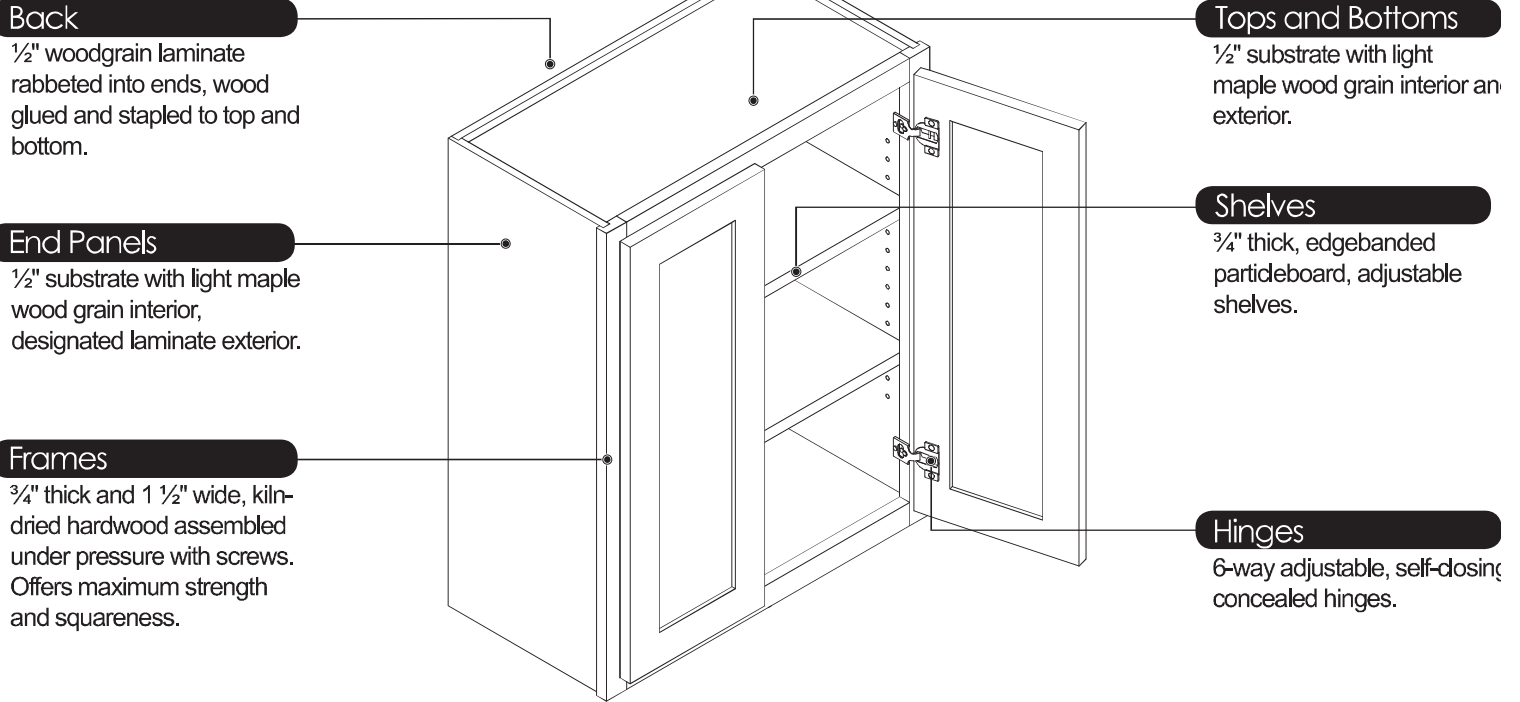
## Full Overlay



Summit, Polar White

# CONSTRUCTION

## Wall Cabinet Features



### Back

1/2" woodgrain laminate rabbeted into ends, wood glued and stapled to top and bottom.

### End Panels

1/2" substrate with light maple wood grain interior, designated laminate exterior.

### Frames

3/4" thick and 1 1/2" wide, kiln-dried hardwood assembled under pressure with screws. Offers maximum strength and squareness.

### Tops and Bottoms

1/2" substrate with light maple wood grain interior and exterior.

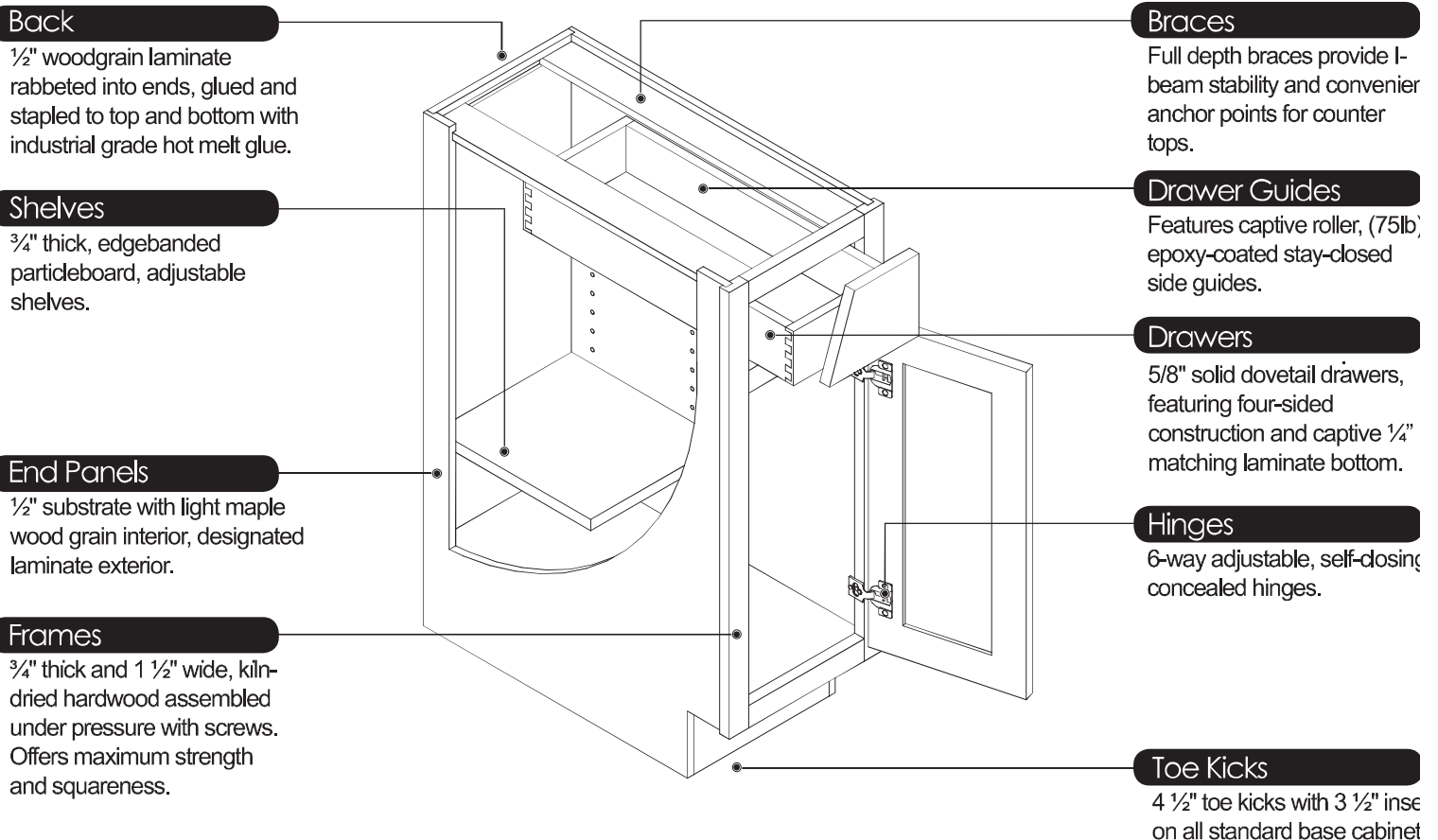
### Shelves

3/4" thick, edgebanded particleboard, adjustable shelves.

### Hinges

6-way adjustable, self-closing concealed hinges.

## Base Cabinet Features



### Back

1/2" woodgrain laminate rabbeted into ends, glued and stapled to top and bottom with industrial grade hot melt glue.

### Shelves

3/4" thick, edgebanded particleboard, adjustable shelves.

### End Panels

1/2" substrate with light maple wood grain interior, designated laminate exterior.

### Frames

3/4" thick and 1 1/2" wide, kiln-dried hardwood assembled under pressure with screws. Offers maximum strength and squareness.

### Braces

Full depth braces provide I-beam stability and convenient anchor points for counter tops.

### Drawer Guides

Features captive roller, (75lb), epoxy-coated stay-closed side guides.

### Drawers

5/8" solid dovetail drawers, featuring four-sided construction and captive 1/4" matching laminate bottom.

### Hinges

6-way adjustable, self-closing concealed hinges.

### Toe Kicks

4 1/2" toe kicks with 3 1/2" inset on all standard base cabinet

Standard construction shown above.  
Drawer glides and shelf clips not shown.  
Specifications subject to change without notice.  
Printed finish coloring is for representation only. Order samples for accurate color matching.

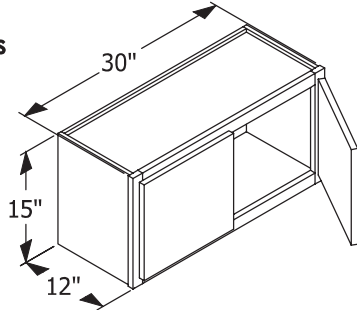
# WALL CABINETS

## 12" High Wall Cabinets

W3012B  
W3612B

## 15" High Wall Cabinets

• **W3015B**  
W3315B  
W3615B



## 18" High Wall Cabinets

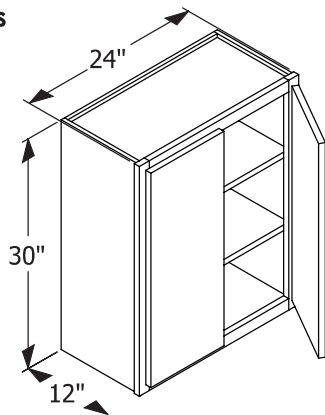
W3018B  
W3318B  
W3618B

## 24" High Wall Cabinets

W3024B  
W3624B

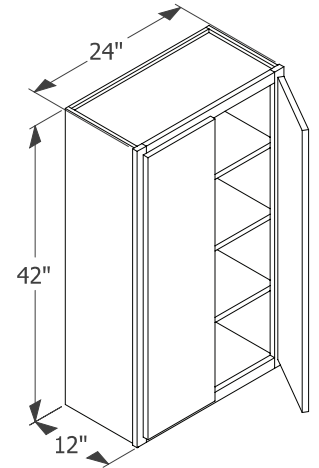
## 30" High Wall Cabinets

W930  
W1230  
W1530  
W1830  
W2130  
• **W2430B**  
W2730B  
W3030B  
W3330B  
W3630B



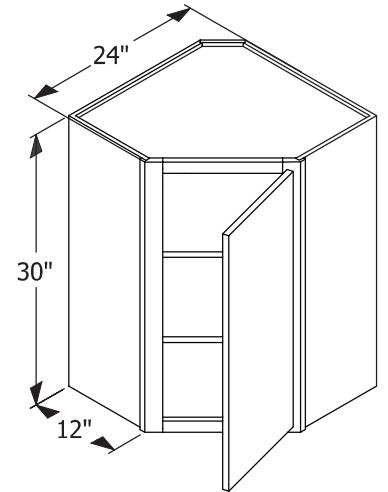
## 42" High Wall Cabinets

W942  
W1242  
W1542  
W1842  
W2142  
• **W2442B**  
W2742B  
W3042B  
W3342B  
W3642B



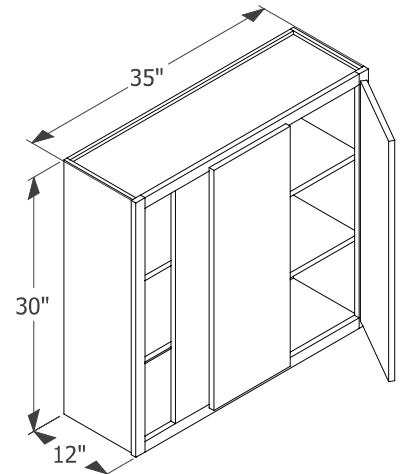
## Wall Corner Cabinets

• **DWA2430**  
DWA2442



## Wall Blind Corner Cabinets

• **WBC3630B**  
WBC3642B

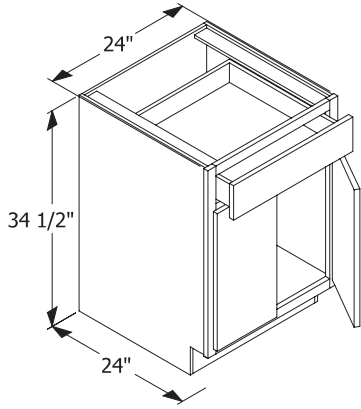




# BASE CABINETS

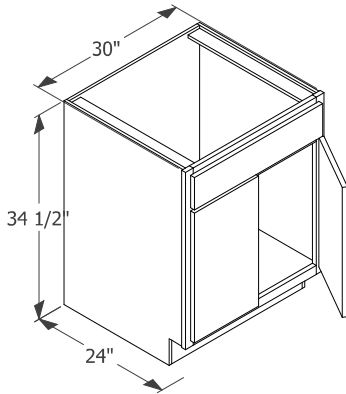
## Door and Drawer Base Cabinets

- B9
- B12
- B15
- B18
- B21
- **B24B**
- B27B
- B30B
- B33B
- B36B



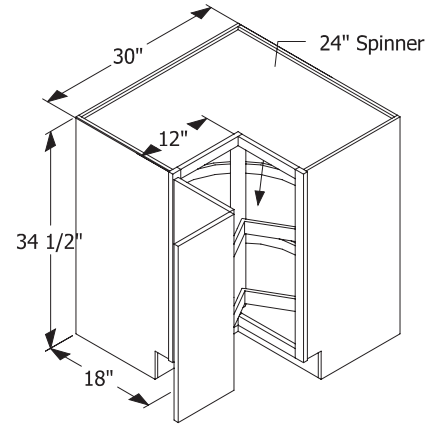
## Sink Base Cabinets

- **SB30B**
- SB33B
- SB36B



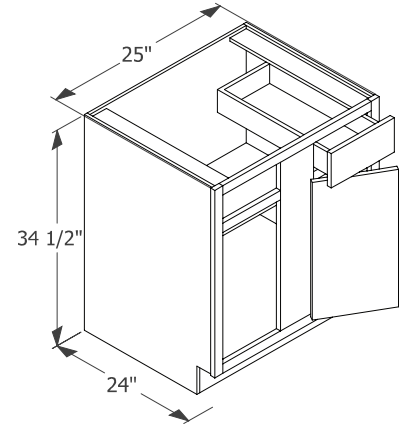
## Corner Base Cabinets

- **LS36**



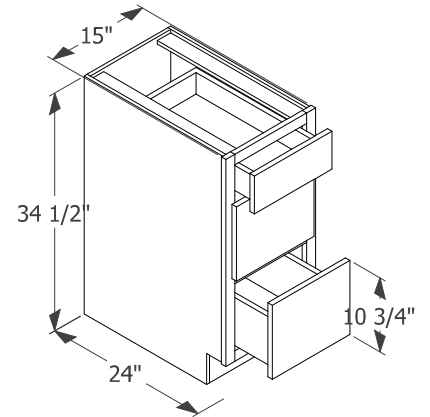
## Base Blind Corner Cabinets

- **BBC36**



## 3 Drawer Base Cabinets

- **B3D15**
- B3D18



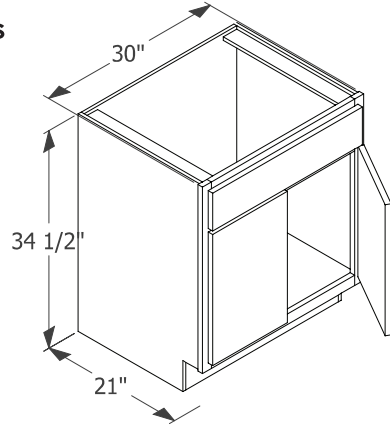
# VANITY CABINETS, TALL CABINETS AND ACCESSORIES

## Vanity Sink Base Cabinets

VSB24BBH

- **VSB30BBH**

VSB36BBH

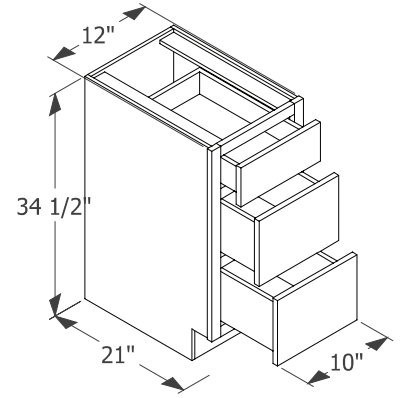


## 3 Drawer Vanity Base Cabinets

- **V3D12BH**

V3D15BH

V3D18BH



## Moldings

OC8S

SCM8S

- **SCOVE8S**

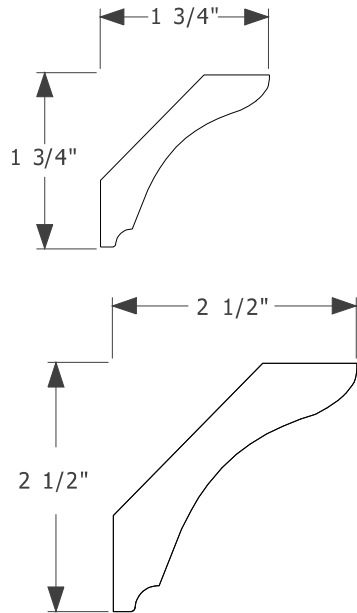
- **LCOVE8S**

IC8S

TK8SL

SM8S

BM8S



## Tall Cabinets

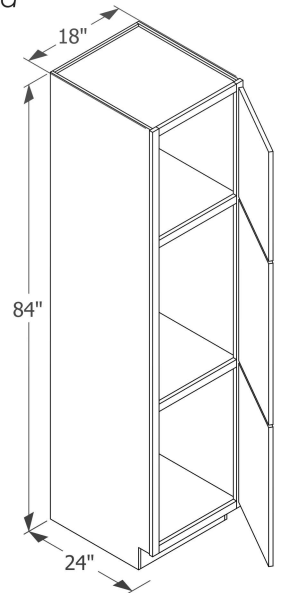
*4 Adjustable Shelves Included*

- **T188424**

T189624

T248424B

T249624B



## Fillers & End Panels

WF330

WF630

WF342

WF642

TF396

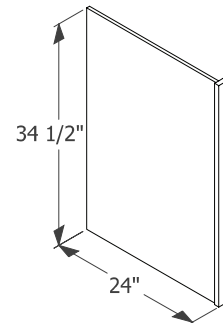
- **BEP3**

TEP1.59624

P4896

WES42

BES



## Touch Up Kit

TUK



